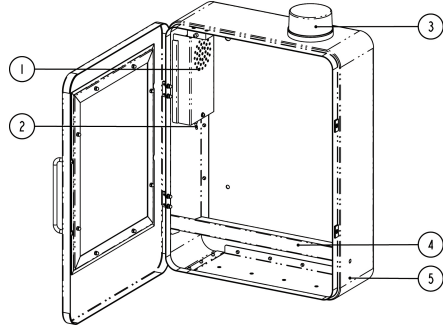


AED Cabinet Instructions For Use

Instruction

The AED cabinet is used to protect and store the Mindray AED. Below is an overview of the cabinet:



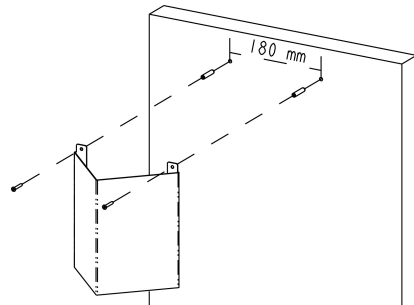
1. Battery compartement
2. Alarm lamp switch
 - ◆ ON: the alarm lamp flashes and beeps when the door is opened.
 - ◆ OFF: the alarm lamp does not give alert when the door is opened.
3. Alarm lamp
4. Support plate
5. AED cabinet

Installation

The AED cabinet and sign board have to be fixed on the wall. Before installation, make sure the supplied expansion plugs and screws are applicable for the wall. If not, select appropriate accessories.

Installing the Sign Board

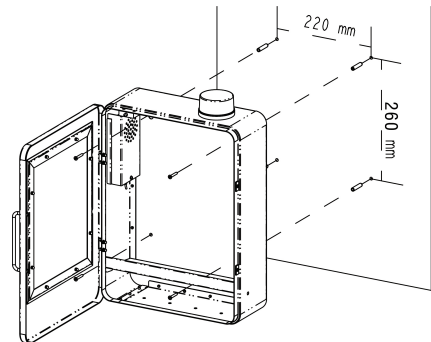
1. Drill two holes on the wall with a diameter of 8 mm and distance of 180 mm, as shown below:



2. Neil two expansion plugs into the two holes.
3. Align the two holes on the sign board with the expansion plugs and then fix it with two screws.

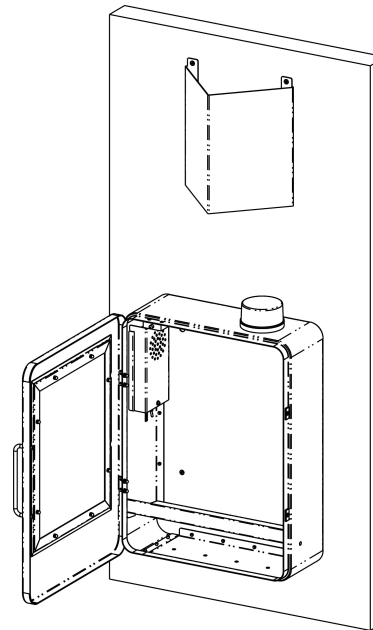
Installing the Cabinet

1. Drill four holes on the wall with a diameter of 8 mm and distances of 220 mm*260 mm, as shown below:



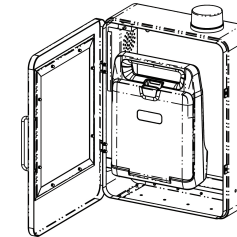
2. Neil two expansion plugs into the two holes.
3. Align the four holes on the back board of the cabinet with the expansion plugs and then fix it with four screws.

Below is an overview of installed sign board and cabinet:



Placing the AED

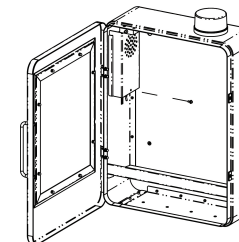
1. Open the cabinet door.
2. Placing the AED on the support plate inside the cabinet, as shown below:



3. Shut the cabinet door.

Replacing Battery

1. Open the cabinet door.
2. Unscrew the screw that fixing the battery compartment cover, as shown below:



3. Lift the cover slightly and then take it out.
4. Remove the installed battery.
5. Install a new or fully charged battery (DURACELL PILE ALCALINE, MN1604|6LR61, 9V, 26.5 mm*17.5 mm*48.5 mm) with correct polarity.
6. Cover the battery compartment cover and then fix the screw.

Packing List

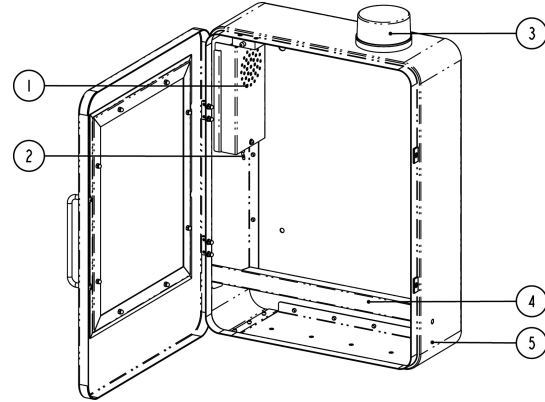
No.	Description	Quantity	Remarks
1	AED cabinet	1	/
2	AED sign board	1	/
3	Screw	6	/
4	Expansion plug	10	4 for future use
5	Instructions For Use	1	/

mindray

AED 橱柜使用说明书

简介

AED 橱柜用于存放迈瑞 AED。其内部结构如下：



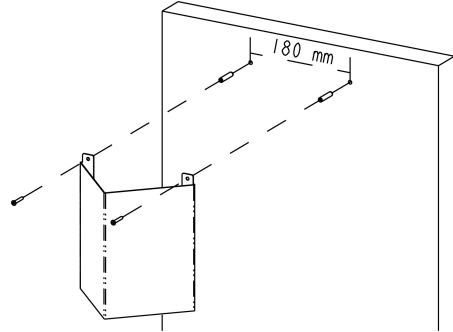
1. 电池仓
2. 报警灯开关
 - ◆ ON: 打开橱柜门后, 报警灯闪光, 并且伴有报警音。
 - ◆ OFF: 打开橱柜门不报警。
3. 报警灯
4. 橱柜支撑板
5. AED 橱柜

安装

AED 橱柜和指示牌需安装固定到墙上。在安装之前, 请确认墙面材料可以使用随产品配送的膨胀胶塞和螺钉。如果不能, 请自行选择适用的配件进行安装。

安装指示牌

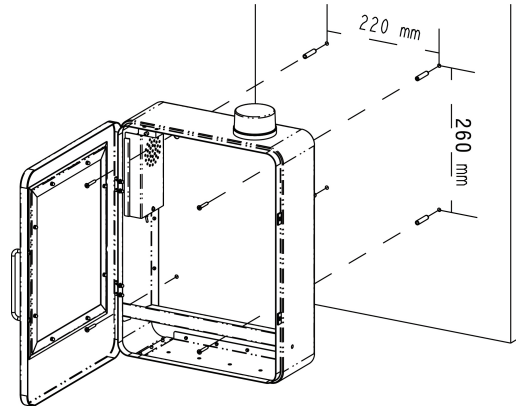
1. 在墙面上钻两个直径 8 毫米, 间距 180 毫米的孔。



2. 将膨胀胶塞分别钉入这两个孔中。
3. 将指示牌上的两个孔和膨胀胶塞对齐, 并用两个螺钉将其固定到墙上。

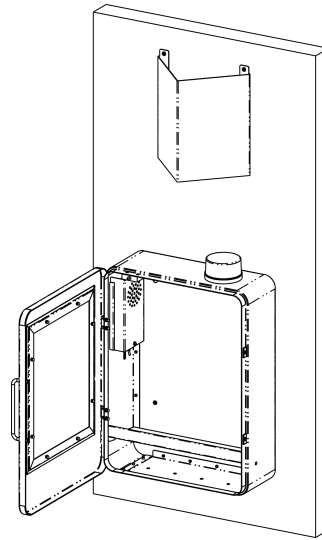
安装橱柜

1. 在墙面上钻四个直径 8 毫米的孔, 间距要求为 220 毫米 x 260 毫米, 如下图所示：



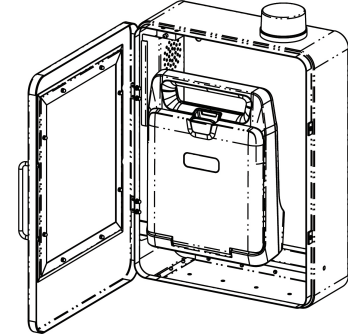
2. 将膨胀胶塞分别钉入四个孔中。
3. 将橱柜背面的四个孔和膨胀胶塞对齐, 并用 4 个螺钉将其固定到墙上。

安装完成后, 如下图所示：



安放 AED

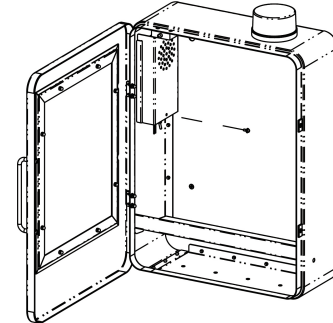
1. 打开橱柜门。
2. 将 AED 放在箱体内部的橱柜支撑板上, 如下图所示：



3. 关紧橱柜门。

更换电池

1. 打开橱柜门。
2. 拧下电池仓下方的螺钉, 如图所示。



3. 将电池仓盖先向上抬起, 再向外平移取出。
4. 取下电池仓内安装的电池。
5. 按照正确的正负极方向装入新的满电的电池 (金霸王 DURACELL 方形电池, MN1604|6LR61, 9V, 26.5*17.5*48.5 毫米)。
6. 盖好电池仓盖, 并重新拧上之前卸下的螺钉。

零件清单

序号	中文名称	数量	备注
1	AED 橱柜箱	1	/
2	AED 指示牌	1	/
3	螺钉	6	/
4	膨胀胶塞	10	4 个备用
5	用户手册	1	/